

ATELIER ARETI

PRODUCT

Two cones 138
Wall light

MATERIALS AND COLOUR OPTIONS

Powder coated metal; brass joint

VERSIONS

Black structure (white reflectors)

138OL-W01-ME01

White structure (white reflectors)

138OL-W01-ME02

Colour structure (white reflectors)

138OL-W01-ME03

Black structure (top cone white reflector; bottom cone brass reflector) 138OL-W01-ME04

White structure (top cone white reflector; bottom cone brass reflector) 138OL-W01-ME05

Colour structure (top cone white reflector; bottom cone brass reflector) 138OL-W01-ME06

TECHNICAL DETAILS

2 x E14 LED 7W max (US: E12)

110-230V

IP20

Light bulbs not included

WEIGHT

6 kg

DIMMABLE

The standard version is dimmable with Trailing edge technology

DALI

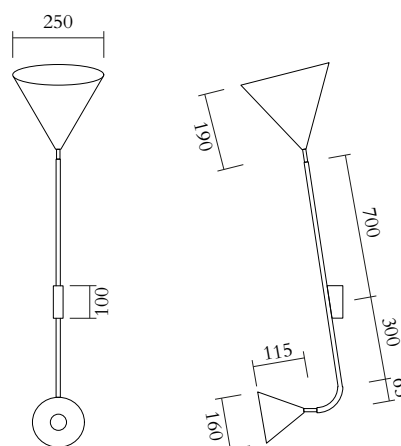
Available upon request

NOTE

Mirrored bulbs reflect a lot of heat back to the lamp holder. Depending on the space around the lamp holder, the heat might build up above the recommended temperature, especially if the heat is trapped when moving upwards. For this reason, the max. wattage indicated does not apply to mirrored bulbs, but to non mirrored bulbs only. If mirrored bulbs are desired, only those with a low wattage (such as LEDs) should be used. The max. wattage for mirrored bulbs is 5 watt LED

MADE IN

Germany



Sizes in mm. Flat attachments available only under request. Variations in colour and size are available for some collections, please contact Areti for more details.

Our collections are hand made and made to order, small irregularities in shape or surface will occur, they are inherent to the hand made process and should not be seen as flaws. For detailed information on any products: contact@atelierareti.com