

# ATELIER ARETI

## PRODUCT

Perspective variation 497  
Wall light / Rhombus

## MATERIALS AND COLOUR OPTIONS

Brushed brass; powder coated metal; white glass

## VERSIONS

Brushed brass structure 497OL-W01-BR01  
Black structure 497OL-W01-ME01

## TECHNICAL DETAILS

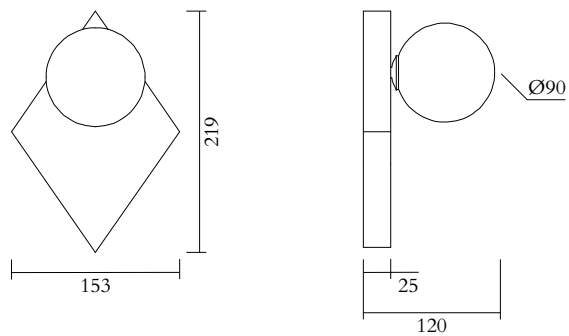
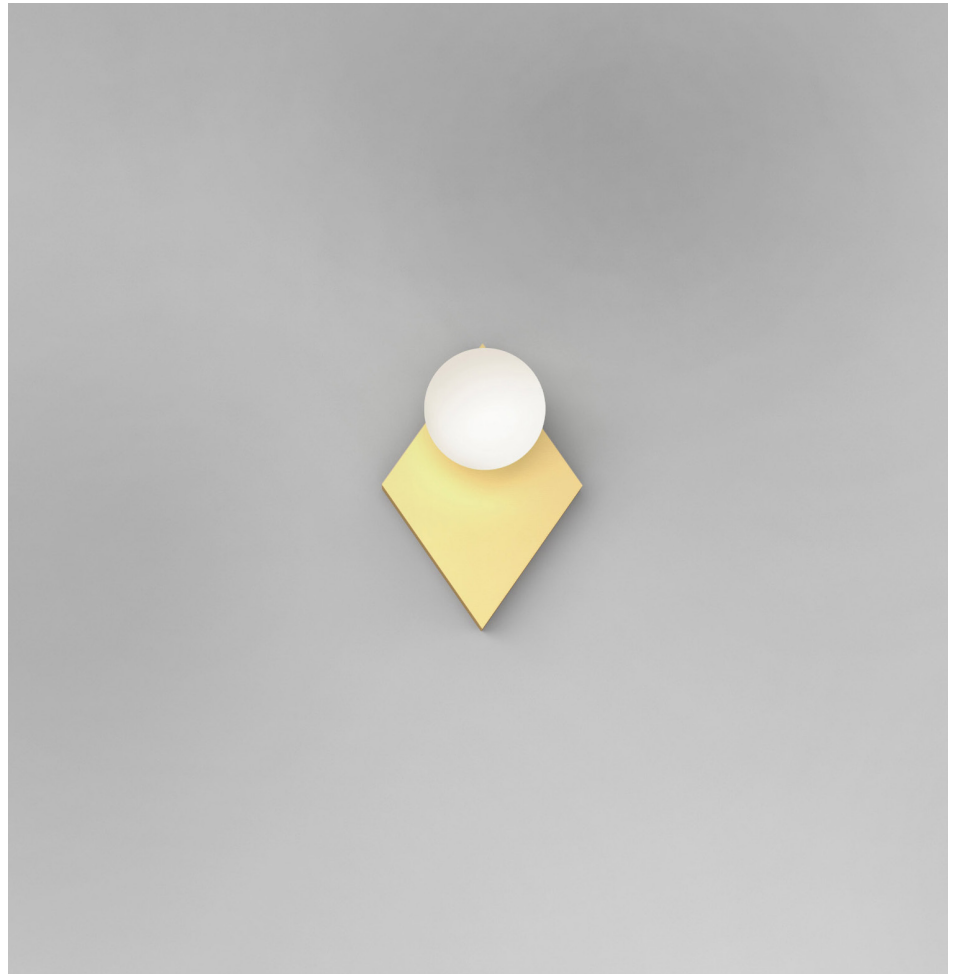
1 x G9 LED 5W max  
110-230V  
IP20  
Lights bulb not included

## WEIGHT

3 kg

## MADE IN

Germany



Sizes in mm. Flat attachments available under request. Variations in colour and size are available for some collections, please contact Areti for more details.

Our collections are hand made and made to order, small irregularities in shape or surface will occur, they are inherent to the hand made process and should not be seen as flaws. For detailed information on any products: [contact@atelierareti.com](mailto:contact@atelierareti.com)

# ATELIER ARETI

## PRODUCT

Perspective variation 497  
Wall light / Leaf

## MATERIALS AND COLOUR OPTIONS

Brushed brass; powder coated metal; white glass

## VERSIONS

Brushed brass structure 497OL-W02-BR01  
Black structure 497OL-W02-ME01

## TECHNICAL DETAILS

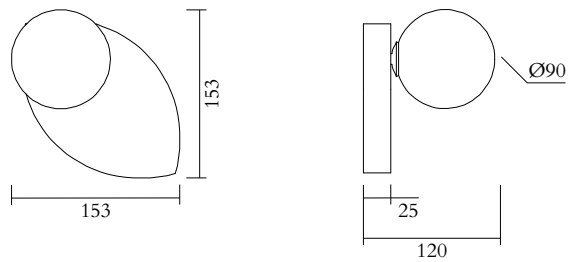
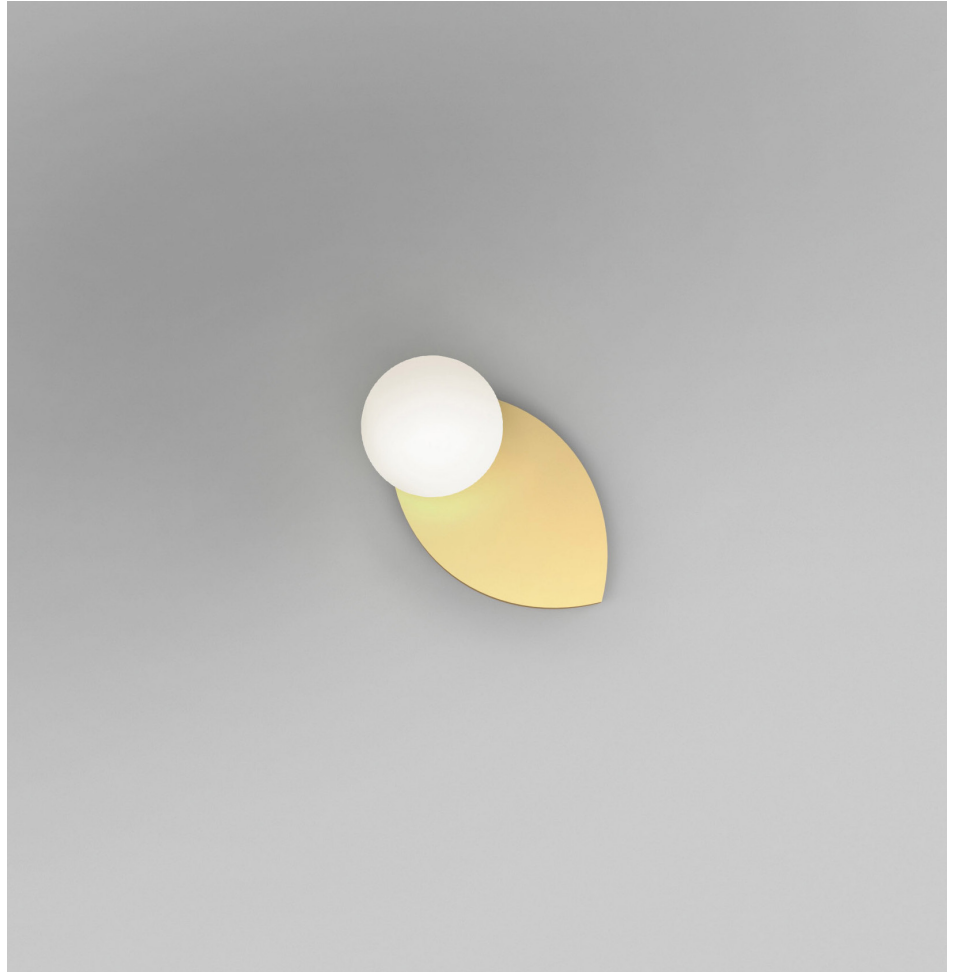
1 x G9 LED 5W max  
110-230V  
IP20  
Lights bulb not included

## WEIGHT

3 kg

## MADE IN

Germany



Sizes in mm. Flat attachments available under request. Variations in colour and size are available for some collections, please contact Areti for more details.

Our collections are hand made and made to order, small irregularities in shape or surface will occur, they are inherent to the hand made process and should not be seen as flaws. For detailed information on any products: [contact@atelierareti.com](mailto:contact@atelierareti.com)

# ATELIER ARETI

## PRODUCT

Perspective variation 497  
Wall light / Bean shape

## MATERIALS AND COLOUR OPTIONS

Brushed brass; powder coated metal; white glass

## VERSIONS

Brushed brass structure 497OL-W03-BR01  
Black structure 497OL-W03-ME01

## TECHNICAL DETAILS

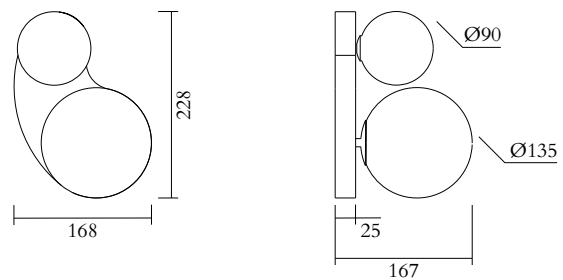
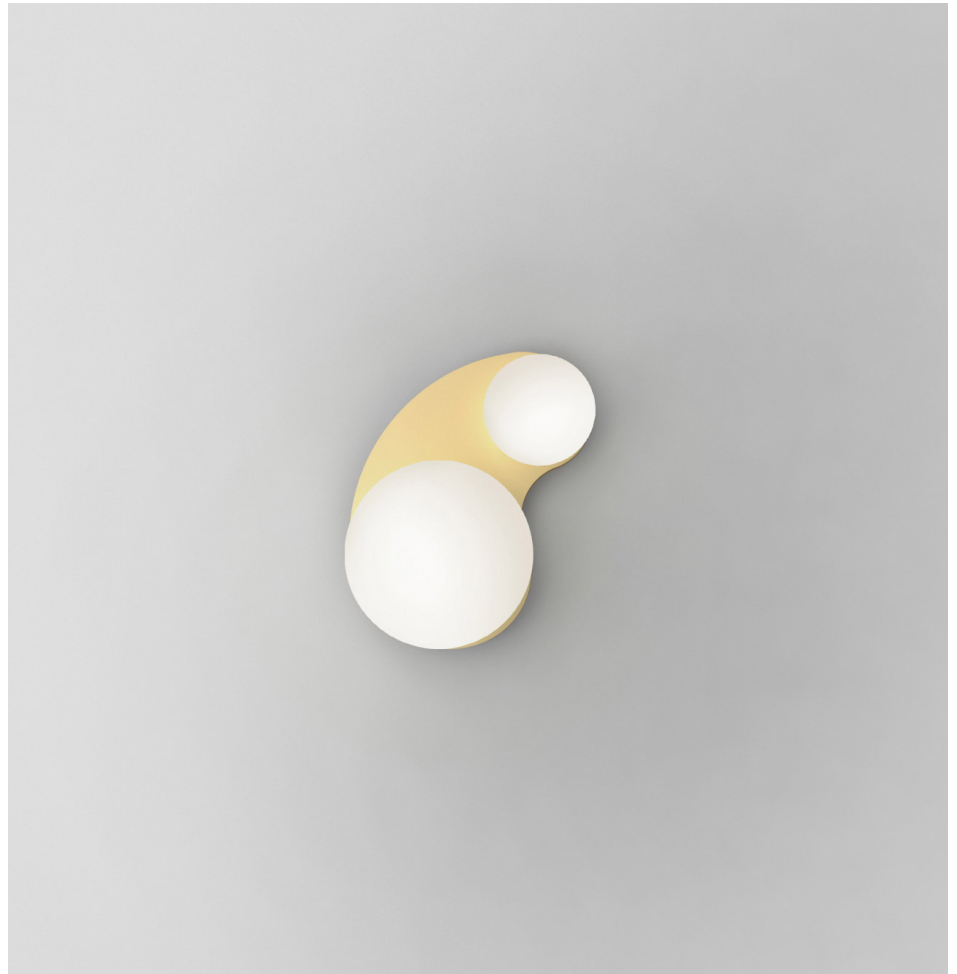
2 x G9 LED 5W max  
110-230V  
IP20  
Lights bulbs not included

## WEIGHT

3 kg

## MADE IN

Germany



Sizes in mm. Flat attachments available under request. Variations in colour and size are available for some collections, please contact Areti for more details.

Our collections are hand made and made to order, small irregularities in shape or surface will occur, they are inherent to the hand made process and should not be seen as flaws. For detailed information on any products: [contact@atelierareti.com](mailto:contact@atelierareti.com)

# ATELIER ARETI

## PRODUCT

Perspective variation 497  
Wall light / Drop shape

## MATERIALS AND COLOUR OPTIONS

Brushed brass; powder coated metal; white glass

## VERSIONS

Brushed brass structure 497OL-W04-BR01  
Black structure 497OL-W04-ME01

## TECHNICAL DETAILS

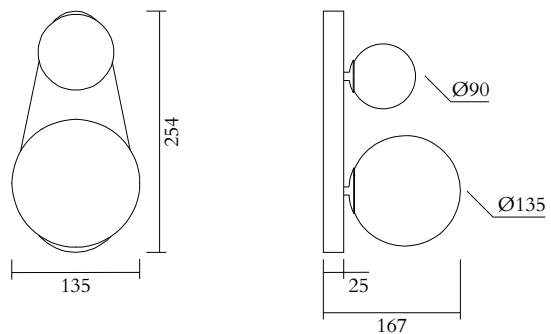
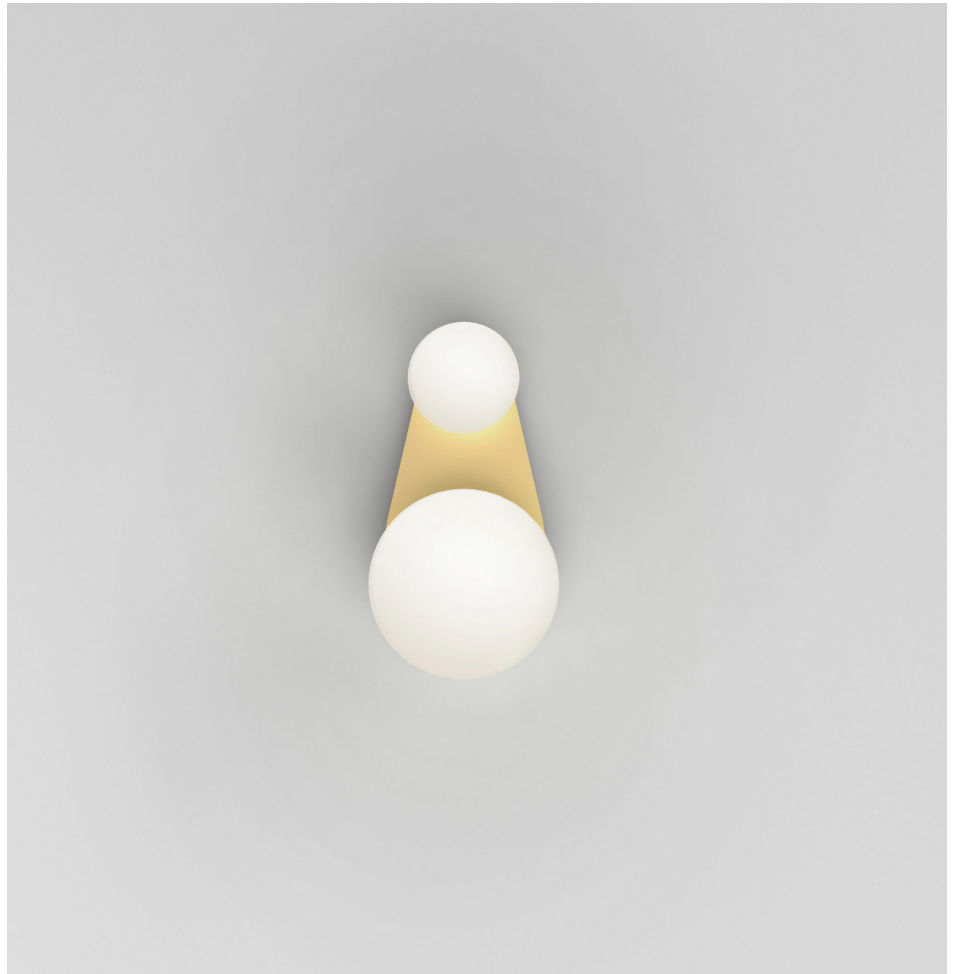
2 x G9 LED 5W max  
110-230V  
IP20  
Lights bulbs not included

## WEIGHT

3 kg

## MADE IN

Germany



Sizes in mm. Flat attachments available under request. Variations in colour and size are available for some collections, please contact Areti for more details.

Our collections are hand made and made to order, small irregularities in shape or surface will occur, they are inherent to the hand made process and should not be seen as flaws. For detailed information on any products: [contact@atelierareti.com](mailto:contact@atelierareti.com)

# ATELIER ARETI

## PRODUCT

Perspective variation 497  
Wall light / Rounded rectangle

## MATERIALS AND COLOUR OPTIONS

Brushed brass; powder coated metal; white glass

## VERSIONS

Brushed brass structure 497OL-W05-BR01  
Black structure 497OL-W05-ME01

## TECHNICAL DETAILS

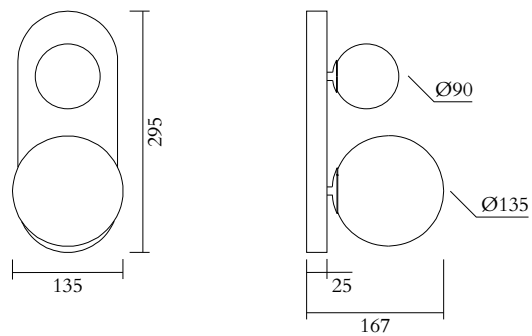
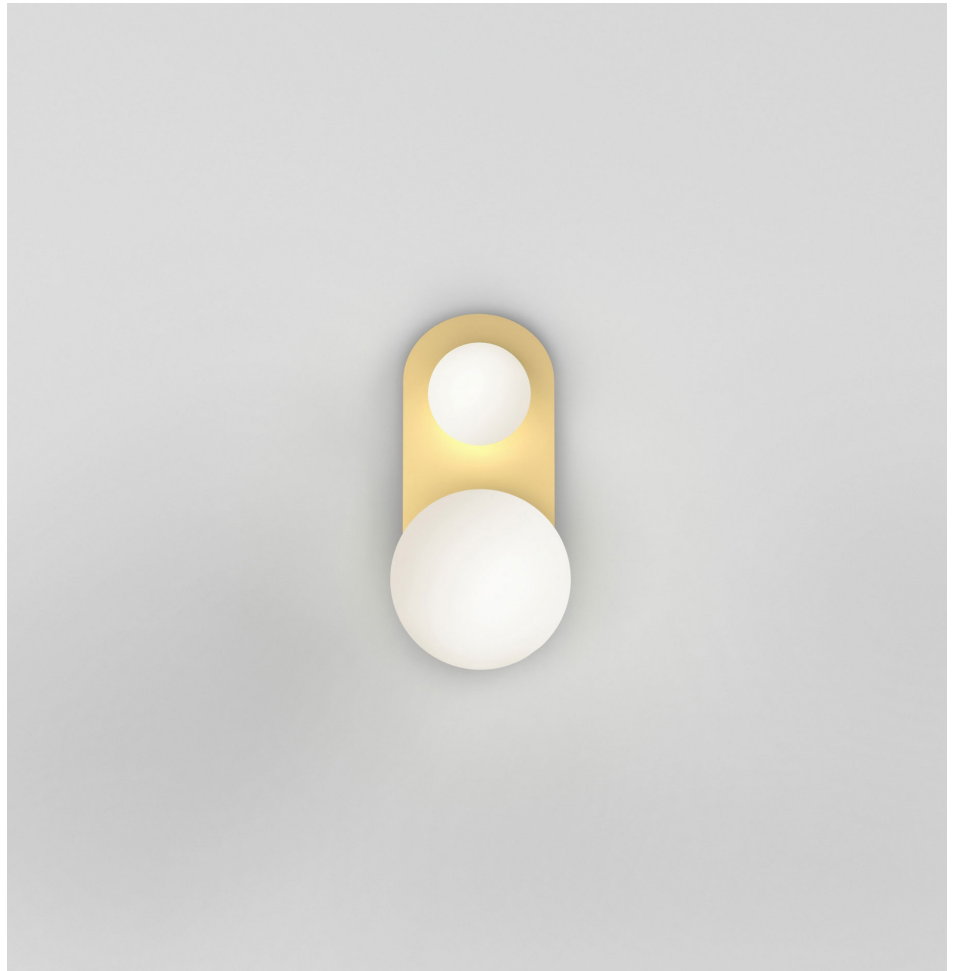
2 x G9 LED 5W max  
110-230V  
IP20  
Lights bulbs not included

## WEIGHT

3 kg

## MADE IN

Germany



Sizes in mm. Flat attachments available under request. Variations in colour and size are available for some collections, please contact Areti for more details.

Our collections are hand made and made to order, small irregularities in shape or surface will occur, they are inherent to the hand made process and should not be seen as flaws. For detailed information on any products: [contact@atelierareti.com](mailto:contact@atelierareti.com)